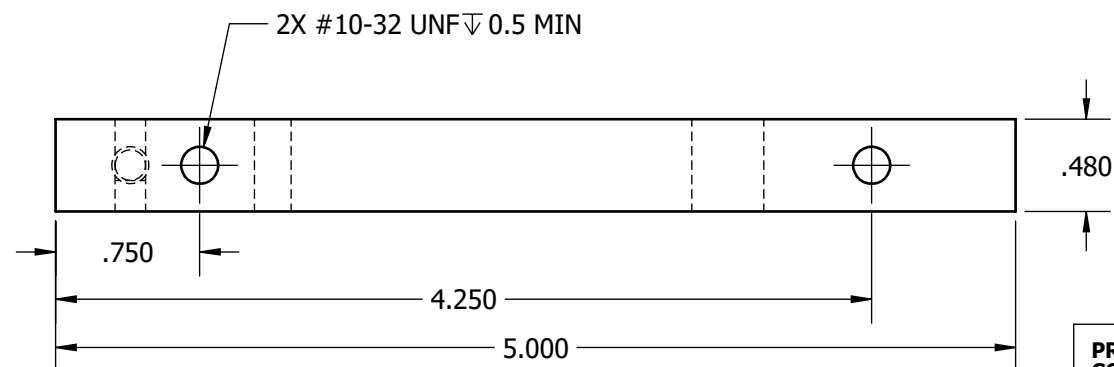
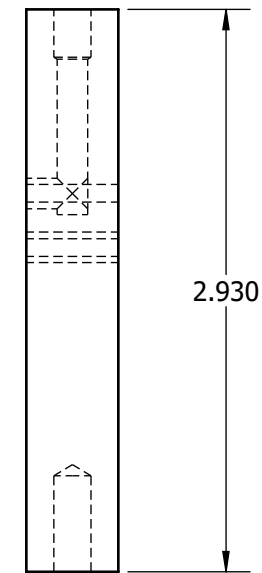
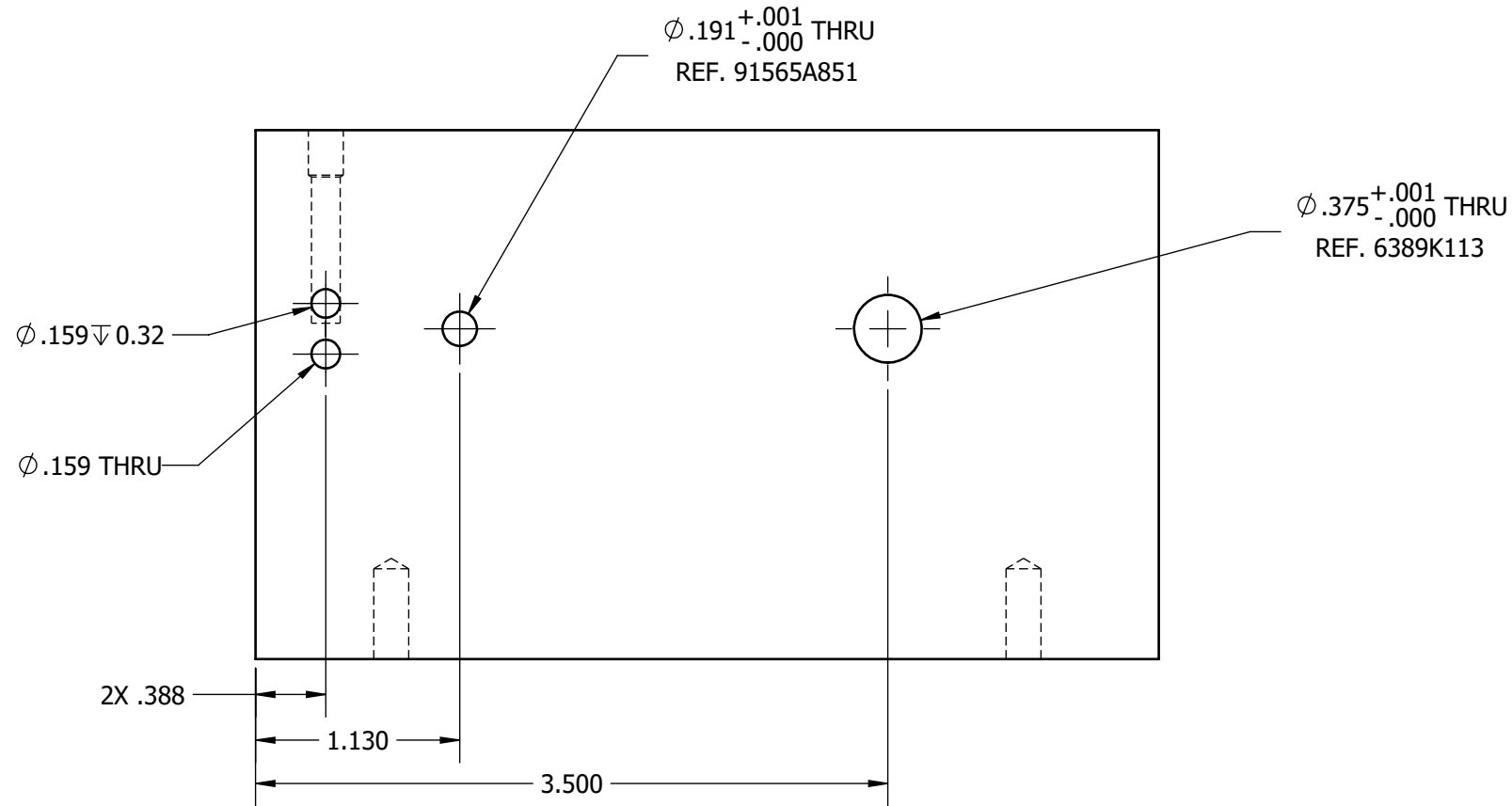
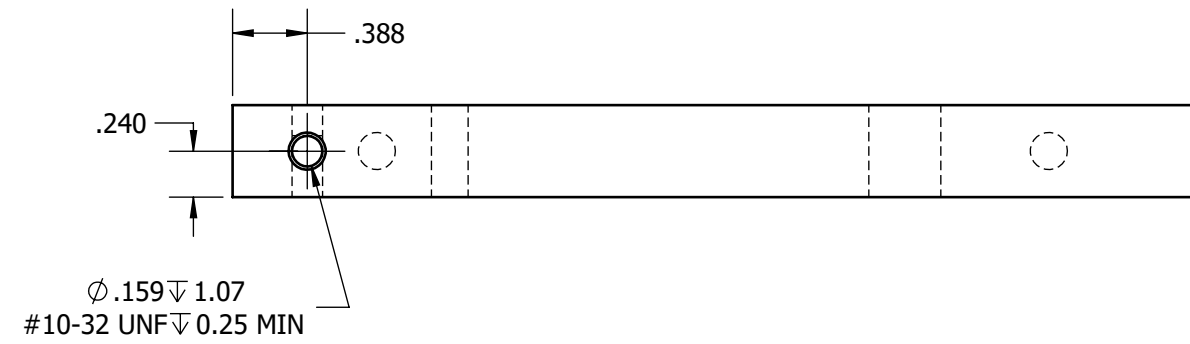


REVISIONS		
REV.	DESCRIPTION	DATE
A	INITIAL RELEASE	10/16/2024



**PROPRIETARY AND CONFIDENTIAL**

THE INFORMATION CONTAINED IN THIS DRAWING IS THE SOLE PROPERTY OF THE UNIVERSITY OF COLORADO. ANY REPRODUCTION IN PART OR AS A WHOLE WITHOUT WRITTEN PERMISSION IS PROHIBITED.

TOLERANCES:

X.X  $\pm 0.1$   
X.XX  $\pm 0.010$   
X.XXX  $\pm 0.005$   
X.X°  $\pm 1^\circ$

UNLESS OTHERWISE SPECIFIED:

DRAWING UNITS: INCHES  
INTERPRET DRAWING PER ASME Y14.100  
INTERPRET DIMENSIONS PER ASME Y14.5M

MATERIAL:  
POLYCARBONATE  
FINISH:  
MACHINED

DRAWN:  
JULIA ABOUD

CHECKER:

MANUFACTURING ENGINEER:

DATE:  
10/16/24

DATE:

DATE:

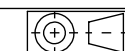


UNIVERSITY OF COLORADO  
1111 ENGINEERING DRIVE  
BOULDER, CO 80309-0427  
MCEN 1025

DESCRIPTION:  
POLYCARBONATE VALVE PLATE

PART NUMBER:  
1025WE2

REV  
A



SIZE: B

SHEET: 1 of 1